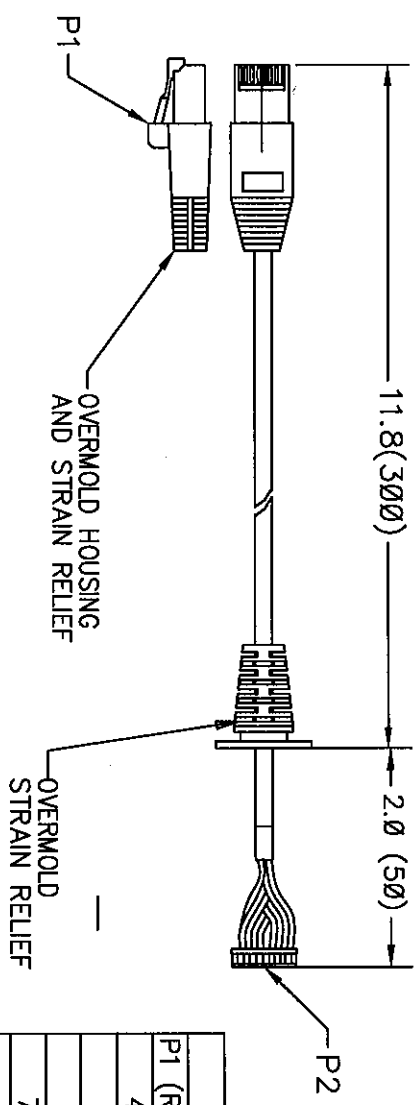


THIS REGULATION IS CONCEPTUAL AND APPROPRIATE TO DPAC AND SHALL NOT BE REPRODUCED OR STRIKED OFF TO ANYONE OTHER THAN THE PERSONS WHOSE NAMES ARE LISTED HEREIN FROM THE ORIGINAL DRAWING. ANY REVISIONS TO THIS DRAWING SHALL BE MADE BY THE PERSONS OR, UNLESS EXPRESSLY AUTHORIZED BY DPAC, AUTHORIZED PERSONS WHOSE NAMES ARE LISTED HEREIN. THIS DRAWING MUST INCLUDE PART NUMBER AND REVISION.



REVISIONS			
REV	DESCRIPTION	DATE	APPROVED
X1	ENGINEERING RELEASE	10/29/04	P. SHILANKO
A	PROD REL PER ECO: 9180411-01	11/1/04	P. SHILANKO

WIRING TABLE			
P1 (RJ45-P)	P2 (HRS)		
4/5	4	BLU & BLU/WHT	
6	5	GRN	
3	6	GRN/WHT	
7/8	1	BRN & BRN/WHT	
2	2	ORG	
1	3	ORG/WHT	
-	7	DRAIN	

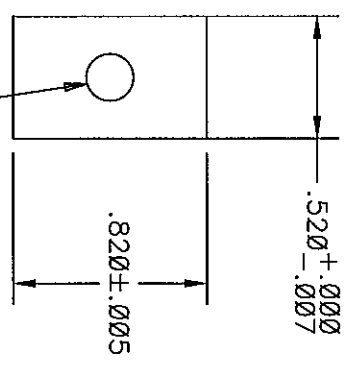
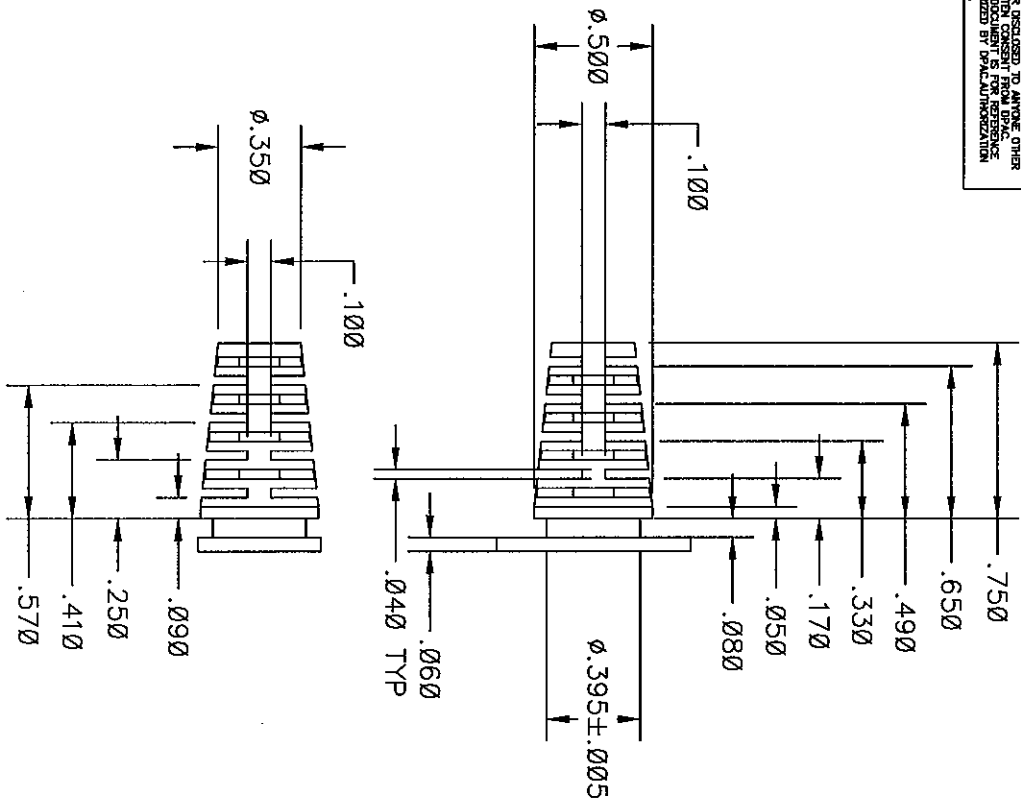
1. ASSEMBLE PER IPC/WHMA-A-620, CLASS 2.
2. CABLE TO BE UL CM+CU1, CAT.3 OR BETTER, STP CABLE, 26-28AWG STRANDED x4PR,Ae, FOIL SHIELD W/DRAIN WIRE, GRAY PVC (TO MATCH PANTONE #428C) OD .216 + $\sqrt{-}$ .007.  
P1: RJ45-P, AMP P/N 554169 OR EQUIVALENT  
P2: HIROSE P/N DF13-7S-1.25C OR EQUIVALENT
3. STRAIN RELIEF MOLD MAT'L TO BE PVC,45P. COLOR GRAY TO MATCH PANTONE #428C. SHORE A 84+/-5 DEGREES. SEE SHEET 2 FOR MOLDING DETAILS.
4. BAG/BOX PART AND ID BAG/BOX WITH DWG NO, REV AS LISTED ON THIS DWG AND QTY PER BOX/BAG.
5. ANY OPEN,SHORT,MISWIRING OR INTERMITTENT NOT PERMITTED.
6. PULLOUT FORCE FOR TERMINAL TO BE 2.0KG.
7. CONTINUITY TEST: INSULATION RESISTANCE-5M OHM MIN, CONDUCTIVE RESISTANCE-1.0 OHM MAX.
8. DIMENSIONS ARE INCHES (MM)

UNLESS OTHERWISE SPECIFIED: DIMENSIONS ARE IN INCHES DECIMALS TOLERANCES ARE AS SHOWN	
XXX.X	.005
XXX.XX	.002
XXX.XXX	.001
DO NOT SCALE DRAWING	
MATERIAL:	
FINISH:	

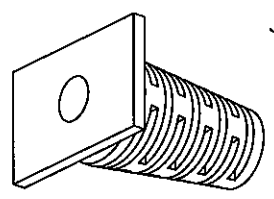
APPROVALS		DATE		TITLE	
DESIGN	JMAYOTTE	10/29/04		DPAC TECHNOLOGIES CORP	
CHECK				CABLE ASSY ABD ETH 7 PIN	
ENG					
ASSEMBLED					
TESTED					
FILED	18K3706-01A	SCALE	2/1	SIZE	B
				PROJ NO	18K3706-01
				REV	A
				SHEET	1 OF 2

Note: must be RoHS compliant and Lead-Free  
Quatech P/N 920-8003-01A-G

THIS INFORMATION IS CONFIDENTIAL AND PROPRIETARY TO DPAC. IT IS NOT TO BE DISCLOSED OR REPRODUCED IN ANY MANNER WITHOUT THE WRITTEN CONSENT FROM DPAC. ANY UNAUTHORIZED PRINTED COPY OF THIS DOCUMENT IS FOR REFERENCE ONLY AND IS NOT TO BE USED IN ANY MANNER. ALL DIMENSIONS MUST INCLUDE PART NUMBER AND REVISION.



REF ONLY  
(SHUTOFF SHAPE BASED  
ON CABLE)



NOTES: UNLESS OTHERWISE SPECIFIED.

DPAC TECHNOLOGIES CORP			
TITLE			
CABLE ASSY ABD ETH 7 PIN			
SIZE	FORM NO	DATE	REV
B		18K3706-01	A
SCALE	SHEET		
NONE	2 OF 2		